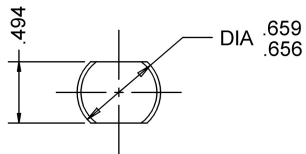
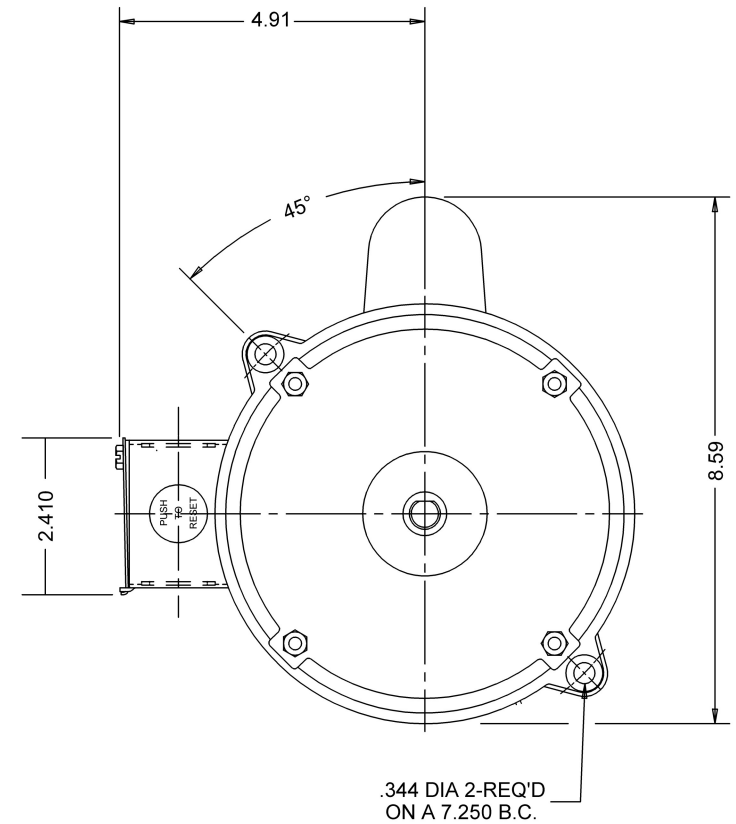
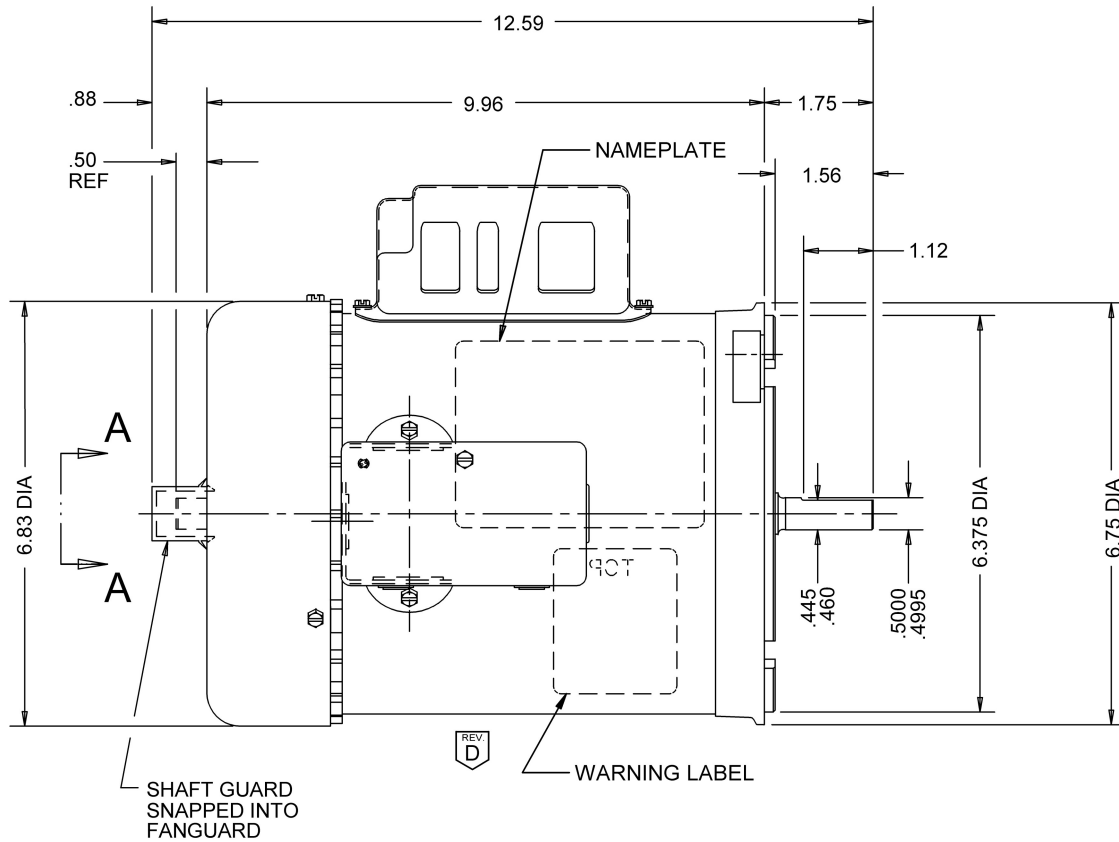




## Catalog #: FD34CM2PZYR

Model Number:	C063GJH4538015B
PRODUCT NAME:	.75 HP - TEFC - 1725
PHASETYPE:	1_CAPACITOR START
MOTOR ENCLOSURE:	TEFC
HORSEPOWER:	.75
KILOWATTS:	0.6
POLES:	4
NUMBER SPEEDS:	1
RPM:	1725
RPM 2:	1425
HERTZ:	60
HERTZ 2:	50
VOLTS PRIMARY:	115/230 V
VOLTS :	115
VOLTS 2:	230
FRME :	56
SHAFT CODE:	YZ
STATOR DIAMETER:	6.3
STACK:	3
MOUNTING:	NONE
MOTOR TYPE:	FHP
OPPOSITE END BEARING:	6203
SHAFT END BEARING:	6203
AMBIENT:	40
ROTATION:	REVERSIBLE
SERVICE FACTOR:	1
STARTCAPMFD:	677.25
SHIPPING WEIGHT:	32
THERMAL PROTECTION:	MANUAL RESET
BREAKDOWN TORQUE:	98.98
BREAKDOWN TORQUE UOM:	OZFT
LOCKED ROTOR TORQUE:	174.9
LOCKED ROTOR TORQUE UOM:	OZFT
INSULATION CLASS:	F
KVA CODE LETTER:	L
LOCKED ROTOR AMPS:	60
FULL LOAD AMPS PRIMARY:	10.6/5.3&11.8/5.9
SERVICE FACTOR AMPS PRIMARY:	10.6/5.3&11.8/5.9



VIEW **A-A**  
(SHAFT GUARD NOT SHOWN FOR CLARITY)  
SCALE: 1/1

MODEL	REF	CUSTOMER	HP	VOLTS	AMPS	HZ	RPM	ROTATION	CUSTOMER PN	
C63BXGJH-4538	--	USEM	3/4	115/230	10.6/5.3 & 11.8/5.9	60/50	1725/1425	REVERSIBLE	FD34CM2PZYR	
SHEET NUMBER 1 OF 1	REV D	REVISION RECORD FOR: C4689-00			INFORMATION DISCLOSED ON THIS DOCUMENT IS CONSIDERED PROPRIETARY AND SHALL NOT BE REPRODUCED OR DISCLOSED WITHOUT WRITTEN CONSENT OF NIDEC MOTOR CORPORATION				<b>NIDEC MOTOR CORPORATION</b>	
CHANGED POSITION OF WARNING LABEL.										
REVISION DATE 15-NOV-11										
ALL DIMENSIONS ARE FOR REFERENCE ONLY UNLESS TOLERANCE IS GIVEN				TITLE <b>ASSEMBLED VIEW</b>		CODE V01	ITEM NO. 737920	SIZE B		
ISSUED BY B. ANDRADE	REVIEWED BY B. CAMMACK	ENGINEER APPROVED B. CAMMACK								

NIDEC MOTOR CORPORATION 15-Nov-11

## Special Application Agriculture Auger Duty Motors



CAPACITOR START

### APPLICATIONS:

For use on augers.

### FEATURES:

- Totally Enclosed Fan Cooled (except where noted)
- Class B Insulation
- Manual Reset Thermal Overload Protector
- 1/2 HP & Above Have ODE Shaft Extension for Hand Crank
- Ball Bearings
- 56Y are Keyed; 56YZ are Flat Shaft
- Reversible Rotation
- Footless (except where noted)

### Capacitor Start

HP	RPM	Voltage	Frame	Catalog Number	List	Discount Symbol	SF	"C" Dim. (inches)	Ship Wt. (lbs)	Full Load Amps	Notes
1/2	1800	115/230	56YZ	1843	\$644	DS-3FMP	1.00	11.6	29	8.0/4.0 & 9.6/4.8	98
	1800	115/230	56Y	FD12CM2PZY	\$515	DS-3FMP	1.00	11.6	32	8.0/4.0 & 9.6/4.8	98, FT
	1800	115/230	56Y	FD12CM2PZYR	\$495	DS-3FMP	1.00	12.0	22	8.6/4.3 & 10.4/5.4	95,98
3/4	1800	115/230	56Y	1801	\$590	DS-3FMP	1.00	12.9	38	10.6/5.3 & 11.8/5.9	
	1800	115/230	56YZ	FD34CM2PZY	\$568	DS-3FMP	1.00	12.6	32	10.6/5.3 & 11.8/5.9	98, FT
	1800	115/230	56YZ	FD34CM2PZYR	\$590	DS-3FMP	1.00	12.6	32	10.6/5.3 & 11.8/5.9	95,98
1	1800	115/208-230	56Y	FD1CM2PZY	\$652	DS-3FMP	1.00	12.9	36	12.8/6.5-6.4	FT
1 1/2	1800	115/230	56Y	FD32CM2PHZY	\$814	DS-3FMP	1.15	13.9	45	16.2/8.1	FT

### Split Phase

HP	RPM	Voltage	Frame	Catalog Number	List	Discount Symbol	SF	"C" Dim. (inches)	Ship Wt. (lbs)	Full Load Amps	Notes
1/3	1800	115/230	56Y	FD13BM2PZYR	\$313	DS-3FMP	1.00	11.5	22	5.3/2.6&5.9/3.0	28,95

### Three Phase

HP	RPM	Voltage	Frame	Catalog Number	List	Discount Symbol	SF	"C" Dim. (inches)	Ship Wt. (lbs)	Full Load Amps	Notes
1/3	1800	190/380 & 208-230/460	56Y	FD13SM2DZYR	\$424	DS-3FMP	1.00	11.2	26	2.0/1.0 & 1.8-2.0/1.0	
1/2	1800	190/380 & 208-230/460	56Y	FD12SM2DZYR	\$467	DS-3FMP	1.00	11.8	17	2.2/1.1 & 2.0-2.0/1.0	
3/4	1800	190/380 & 208-230/460	56Y	FD34SM2DZYR	\$526	DS-3FMP	1.00	11.8	27	3.0/1.5 & 2.7-2.6/1.3	
1	1800	190/380 & 208-230/460	56Y	FD1PM2DZYR	\$549	DS-3FMP	1.15	13.0	36	3.5/1.8 & 3.3-3.2/1.5	
1 1/2	1800	190/380 & 208-230/460	56Y	FD32PM2DZYR	\$633	DS-3FMP	1.15	14.0	38	4.5/2.2 & 4.5-4.5/2.2	

Note 28 TENV Enclosure  
 Note 95 Nitride shaft  
 Note 98 50/60 Hz Motor  
 Note FT Footed